

4

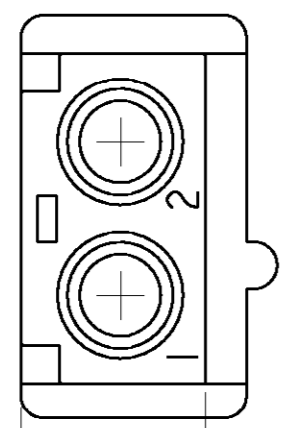
3

2

1

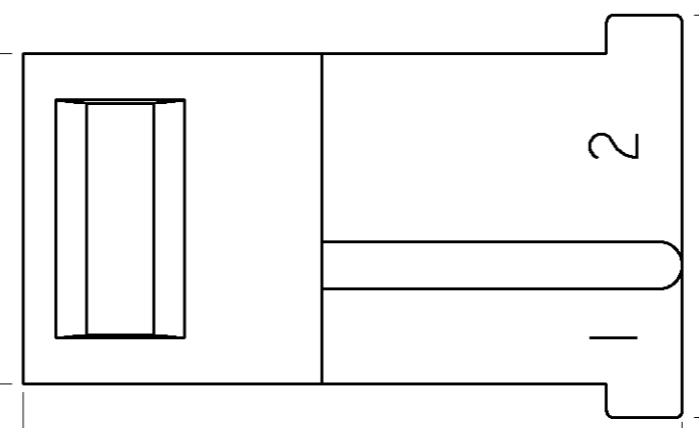
THIS DRAWING IS UNPUBLISHED. RELEASED FOR PUBLICATION 20
 © COPYRIGHT 20 BY TYCO ELECTRONICS CORPORATION. ALL RIGHTS RESERVED.

LOC	DIST	REVISIONS			
P	LTR	DESCRIPTION	DATE	DWN	APVD
CM	00	D	REVISD PER 0G3B-0614-04	19JUL04	KW DC

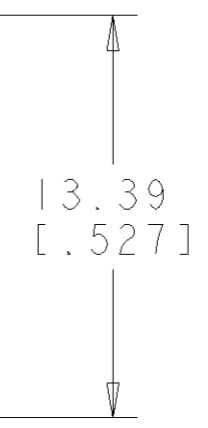


10.93-11.04
[.430-.435]

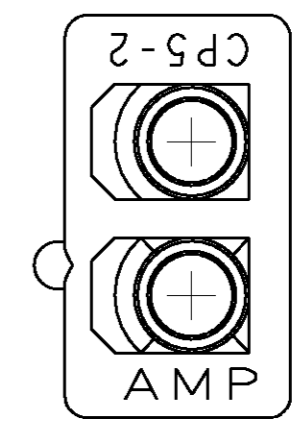
6.10-6.22
[.240-.245]



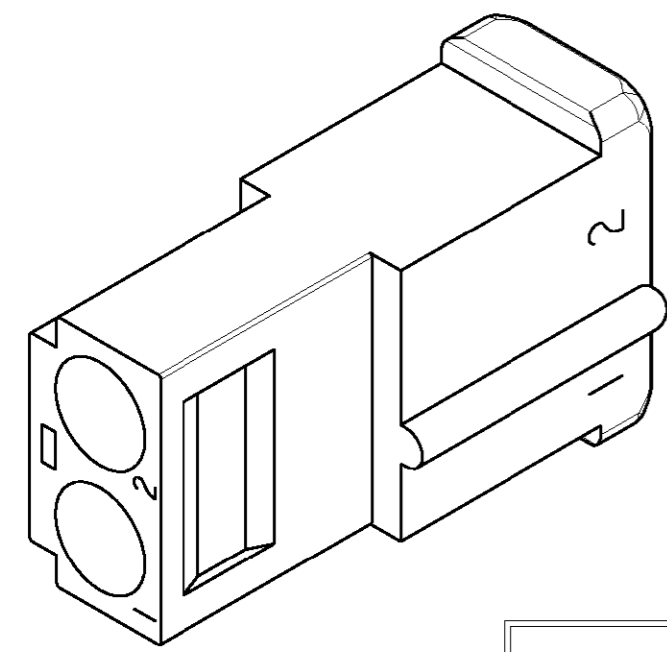
21.84
[.860]



13.39
[.527]



7.49
[.295]



1-480393-1
PART NO

METRIC

<small>THIS DRAWING IS A CONTROLLED DOCUMENT FOR TYCO ELECTRONICS CORPORATION IT IS SUBJECT TO CHANGE AND THE CONTROLLING ENGINEERING ORGANIZATION SHOULD BE CONTACTED FOR THE LATEST REVISION.</small>		DWN 16-APR-2003 K. WHITAKER CHK 16-APR-2003 D. COLEY APVD 16-APR-2003 D. COLEY		tyco <i>Electronics</i> Tyco Electronics Harrisburg, PA 17105-3608	
DIMENSIONS: mm [INCHES]		TOLERANCES UNLESS OTHERWISE SPECIFIED:		NAME PLUG, 2 CIRCUIT, COMMERCIAL MATE-N-LOK™	
		0 PLC ±- 1 PLC ±- 2 PLC ±0.13 [.005] 3 PLC ±- 4 PLC ±- ANGLES ±0° 30'		PRODUCT SPEC - APPLICATION SPEC - WEIGHT -	
MATERIAL NYLON, UL94V-2, BLACK WEATHER RESISTANT		FINISH -		SIZE A3 CAGE CODE 00779 DRAWING NO C-480393 RESTRICTED TO -	
CUSTOMER DRAWING				SCALE 4:1 SHEET 1 OF 1 REV D	